

Product information

92 08 79 ESD

Positioning Tweezers ESD

DIN EN 61340 -5-1



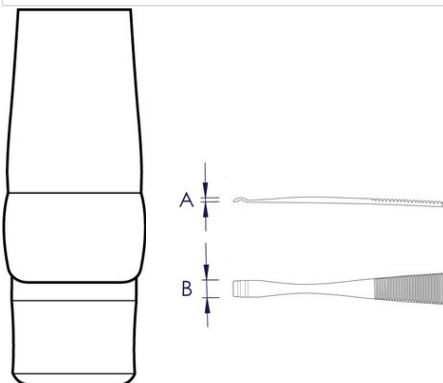
- Makes it easy to hold, insert and pull even the smallest elongated components
- With gripping surfaces in dimensionally adapted designs, for example for firmly and securely positioning or pulling sensitive rounded or cuboid components
- For through-hole technology (THT) and pin-in-hole technology (PIH)
- Antimagnetic to avoid electromagnetic damage
- ESD version only: this allows to compensate in a controlled manner the differences in potential between the operator and electronic components
- ESD versions only: with a tested black epoxy resin coating with a surface resistance between 10^4 and 10^9 ohms
- Stainless steel

General

Article No.	92 08 79 ESD
EAN	4003773054641
Material	stainless steel
Gripping surfaces	smooth gripping surfaces
Weight	15 g
Dimensions	122 x 10 x 14.5 mm
Standard	DIN EN 61340 -5-1
Reach	no
RohS	no

Technical details

Tips width (A)	2.5 mm
Tips width (B)	4 mm
Corrosion-resistant	yes
	yes
VDE tested	no
sectors	electronics





Classification	
eCl@ss 5.1.4	21040500
ETIM 5.0	EC000182
ETIM 6.0	EC000182
proficl@ss 6.0	EAB696c019
UNSPSC 13.1	27112149

technical change and errors excepted